

ABOUT TIMES-7

We are a high-tech company specializing in the design and manufacture of RAIN (UHF) RFID antennas. Founded in 2006, Times-7 has developed the largest portfolio of fixed RAIN RFID reader antennas. Based in Lower Hutt, New Zealand we export all over the world through an authorized network.

Times-7 antennas are famous for their quality and performance.

In addition to our world-class products and in-depth expertise, our customers appreciate Times-7's customer service and technical support.

We are responsive in supporting a large global customer base and ensuring the success of our customer's implementations.

Times-7 Research Ltd
10 Te Puni Street
Lower Hutt 5012
New Zealand

NEW ZEALAND
P: +64 4 974 6566

USA/CANADA
P: +1 408 769 5025

E: sales@times-7.com

www.times-7.com



The SlimLine B6031

Up to 4 m / 13 ft. read range

Just 8 mm / 0.3 in. thick

Sleek & rugged design, with customer friendly aesthetics

Typical applications:
Retail, office, industry / any space constrained or customer facing environment

Part of the SlimLine range of multi-purpose antennas, the B6031 is an ultra-low profile circularly polarized flat panel antenna for UHF RFID applications in customer facing or space conscious environments.

With a 4 m / 13 ft. read range, the B6031 is similar in size and weight to a Tablet PC and can easily blend into any office or retail environment.

Order Information

Ordering Information (please quote product code, band / cable type & part no.)

Antenna Product Code	Band	Part No.
B6031	ETSI 865-868 MHz	71828
B6031	FCC 902-928 MHz	71827
Cable Accessories Product Code	Cable Type	Part No.
Cable 2 m, SMA to RPTNC	LMR 195 / 240 / 400	71436 / 71782 / 72042
Cable 4 m, SMA to RPTNC	LMR 240 / 400	71784 / 72043
Cable 6 m, SMA to RPTNC	LMR 240 / 400	71904 / 72044
Cable 8 m, SMA to RPTNC	LMR 240 / 400	71788 / 72045
Mounting Accessories	Band	Part No.
Mounting Plate Product Code (A6031 / B6031)	ETSI and FCC	71631

View the Times-7 Cable Accessory datasheet [here](#)

Specifications

Physical / Environmental Specifications

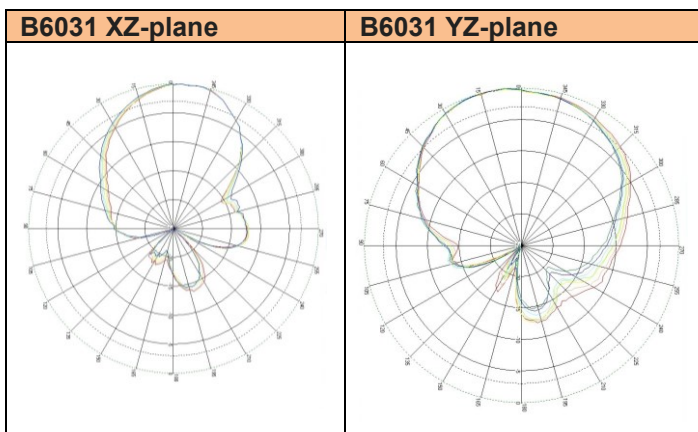
Dimensions (L x W x D): (X x Y x Z)	275 mm x 214 mm x 8 mm 10.8 " x 8.5 " x 0.3 "
Dimensions (L x W x D): (X x Y x Z)	295 mm x 255 mm x 25 mm 11.6 " x 10 " x 1 "
Net Weight:	0.5 kg / 1.1 lbs
Gross Weight	0.65 kg / 1.4 lbs
Radome Material:	Fire retardant ABS
Environmental Rating:	IP54
Operating / Storage Temperature:	-20° to +55°C / -30° to +65°C -4° to +131°F / -22° to +149°F
Mounting:	Integrated mounting holes / Universal mounting brackets for rack (VESA) mounting available
Connector Cable type / position:	SMA female 195 side fly lead (300 mm / 1 ft.)

Electrical Specifications

Frequency Range (ETSI/FCC):	865 – 868 MHz / 902 – 928 MHz
Polarization:	RHCP (Right Hand Circular Polarized)
Far-field Gain:	5 dBiC typical
Far-field 3 dB beamwidth:	60° xz-plane, 80° yz-plane
VSWR:	1.4 typical
Front to back ratio:	-15 dB
Axial ratio:	2 dB typical
Nominal Impedance:	50 Ω
Anti-static protection:	Yes, DC grounded
Antenna Detection:	10 K Ω resistance
Maximum Input Power:	3 W

*Far field 3dB beam width in xz-plane is always along the longer side (L) of the antenna.

Radiation Pattern



Mounting Information

Bracket mount

The Times-7 Mounting Plate for the B6031 is designed to support VESA brackets. For exact dimension, please refer to the mechanical drawings on page 4. For instructions on how to attach the bracket to the antenna please click [here](#).

Flush mount

The B6031 has 4 pre-drilled mounting holes on the rear side of the antenna, which can be drilled through without damaging the antenna. For the exact position please refer to the mechanical drawing on page 3. For further instructions please click [here](#).

Installation Instructions

Ensure that only a firm finger tightness is used for the SMA connector. Use of tools to tighten the connector will apply excess force and likely damage the connector.

Applications

Retail inventory management

The B6031 is a rugged antenna meaning it is ideal for asset tracking and encoding RFID tags. This antenna has a typical read range distance of 4m allowing manufacturers, wholesalers and retailers, for example, to track their inventory throughout the supply chain.



Office asset tracking

Save hundreds of hours of work by automating the receipt, tracking & storage of office asset inventory. The B6031 can manage inventory in multiple locations and easily transfer stock to where it's needed.



OUR GLOBAL NETWORK

In addition to our world-class products and in-depth expertise, Times-7 is known for their quality of customer service and technical support. We place emphasis on our responsiveness in supporting a large global customer base and ensuring the success of our customer's implementations.

Times-7 Research Ltd
10 Te Puni Street
Lower Hutt 5012
New Zealand

NEW ZEALAND
P: +64 4 974 6566

USA/CANADA
P: +1 408 769 5025

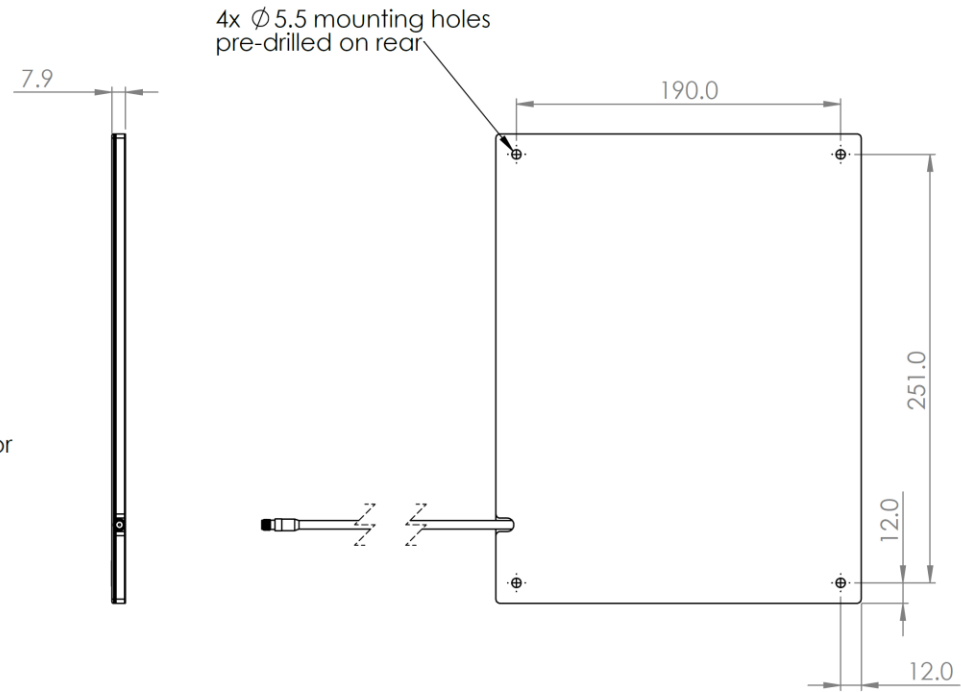
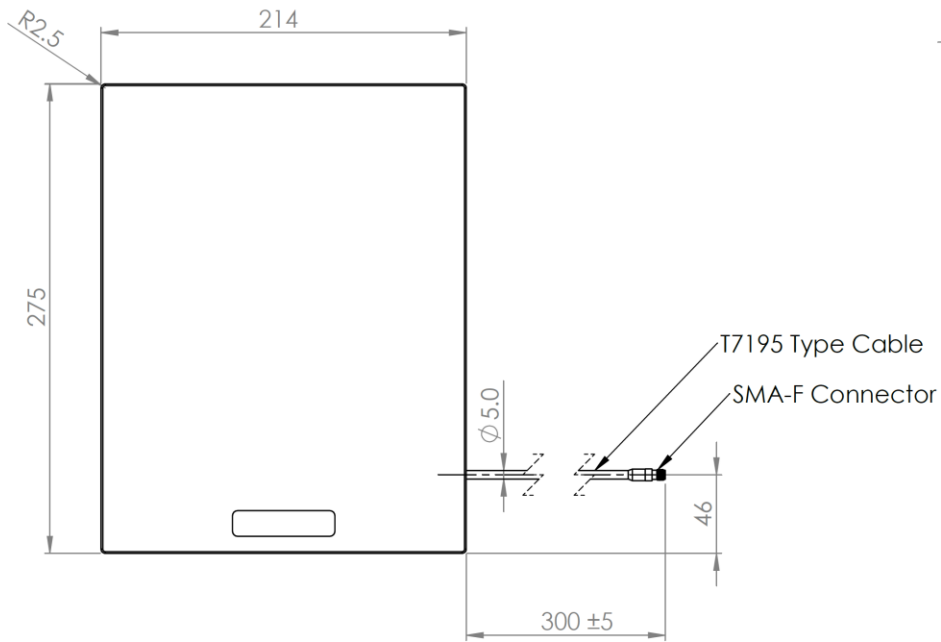
E: sales@times-7.com




www.times-7.com

The technical data contained in this publication is not a guarantee for which Times-7 Research Ltd assumes legal accountability. It is indicative of typical performance, and if required should be relied on for specific applications only after due verification.

All technical data, specifications and other information contained herein are deemed to be the proprietary intellectual property of Times-7 Research Ltd. No reproduction, copy or use thereof may be made without the express written consent of Times-7 Research Ltd.

Times-7, and the stylized T-7 Antennas logo are trademarks or registered trademarks of Times-7 Research Ltd. All other trademarks are the property of their respective owners.
© 2022 Times-7 Research Ltd. All rights reserved. Specifications are subject to change without notice.
Datasheet v3.0



THE INFORMATION CONTAINED IN THIS DRAWING IS THE SOLE PROPERTY OF TIMES-7 LTD. ANY REPRODUCTION IN PART OR AS A WHOLE WITHOUT THE WRITTEN PERMISSION OF TIMES-7 IS PROHIBITED.		DIMENSIONS ARE IN mm UNLESS OTHERWISE SPECIFIED TOLERANCES: NO DECIMAL PLACES ± 1 ONE PLACE DECIMAL ± 0.5				DESCRIPTION <p style="text-align: center;">B6031 Antenna</p>	
DRAWN C Wilson	SIGNATURE 	DATE 10/06/2019	SIZE A3	PART NO. 71828 (ETSI) , 71827 (FCC)	REV B	DO NOT SCALE DRAWING	
APPROVED R Lopez	SIGNATURE 	DATE 11/06/2019	SHEET 1 OF 1				

